



Auglle is the ideal **Surveillance Solution** for companies looking to utilize state of the art video software technology while at the same time reducing overall capital expenditures.

Auglle provides an **all inclusive solution** that alleviates the large installation costs of traditional surveillance systems.

Auglle's proprietary software platform delivers **advanced alert notifications** which allow security personnel to be proactive towards potential threats and issues.

At Auglle, we have taken current challenges related to video security systems and developed an **all encompassing solution** designed to work independently or complimentary to any ONVIF compliant solution.



Auglle, LLC
136 Old San Antonio Rd, Suite 304
Boerne, TX 78006



U.S. Patent NO. 6.970.183

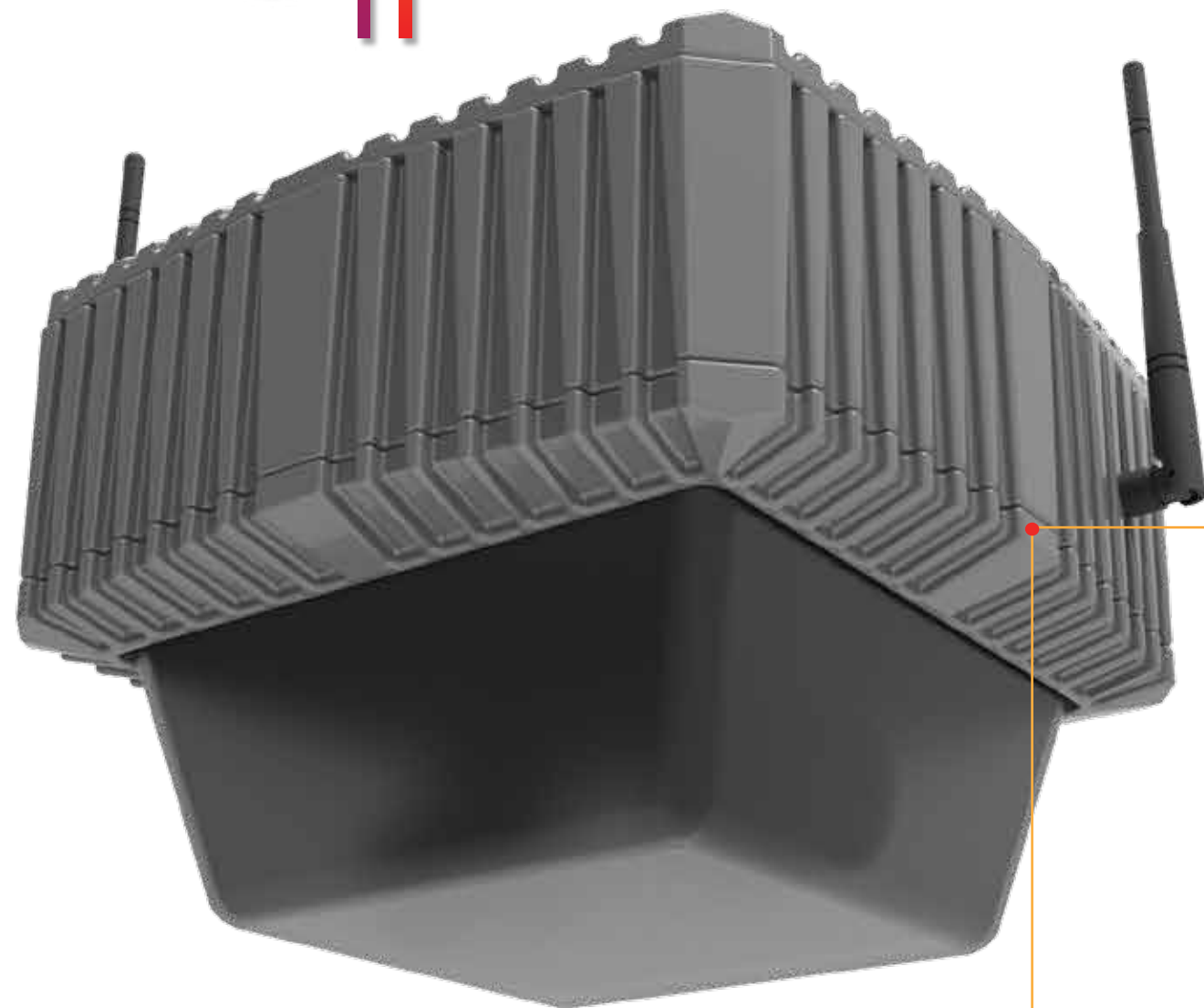


Patent NO. 13.903.037

Changing
the *Philosophy*
of how a
Surveillance System
should work

www.auglle.com
sales@auglle.com
t. 830.331.8734
f. 830.331.1314

Copyright Auglle, LLC



Ability to connect **third party cameras**, including thermal and 3D, to exploit Auglle's storage, analytic and notification features.



Full Range Onboard Analytics

- Inclusive of:
 - Person detection
 - Loitering
 - Line tripping
 - Object counting
- Open access for development of 3rd party apps



High - Definition Multi Imager

- 5mp per imager for total of 10mp
- USB 3.0 UVC



Real-Time Alerts & Notifications

- Notify pre-determined personnel through SMS, Email or Video Push



Edge Storage

- HDD, SSD, SD CARD, Cloud
- RAID Configurable between devices



Completely Customizable and Modular

- Camera modules
- Lenses
- Storage
- Connect 3rd Party Cameras (Thermal, ToF, IP)



Built-In High Voltage Converter

- 305-90VAC
- PoE & 12 vdc



Wireless Capability

- Ethernet
- WiFi
- Cell phone



ONVIF Compliant

- ONVIF Profile G

Robust design. Quick and easy installation with **Direct Connection** to high voltage.



The **Ideal Surveillance Solution**